



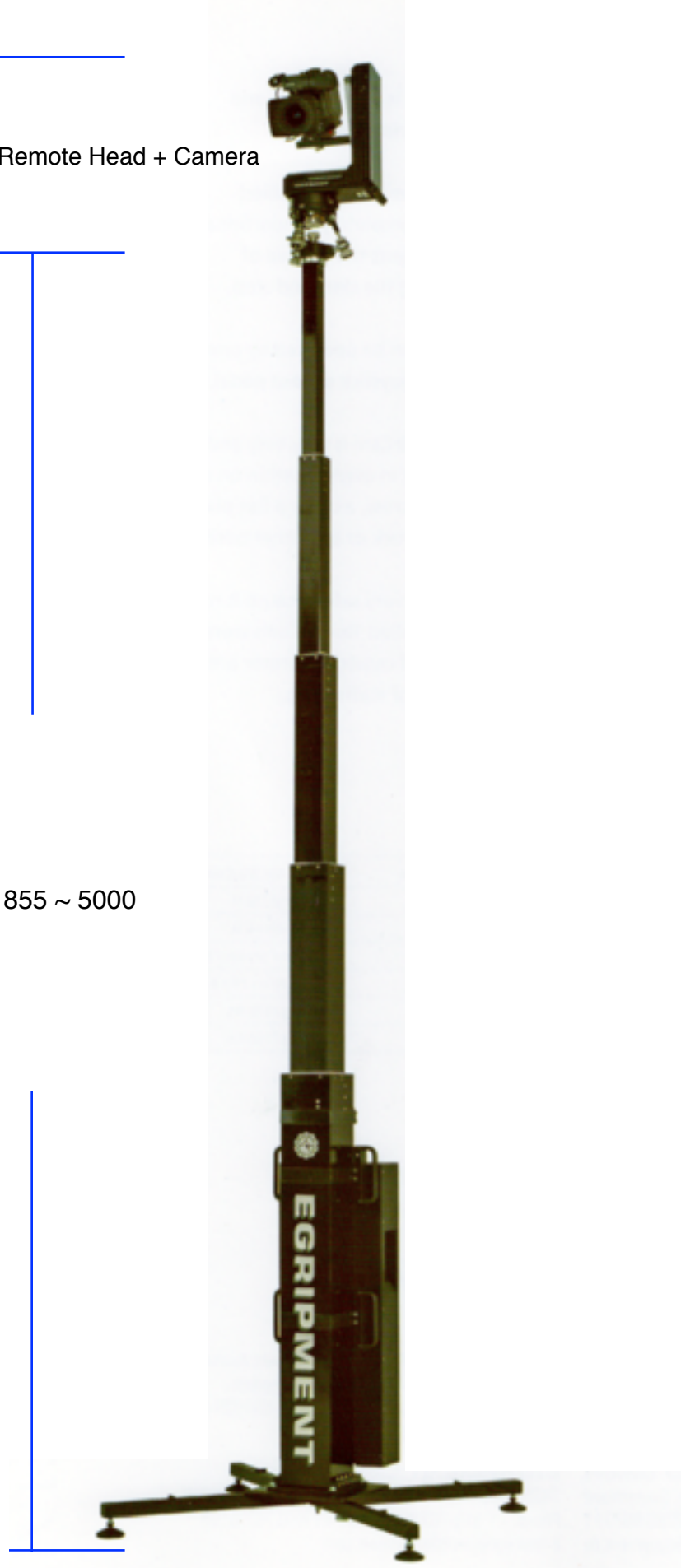
# STARCAM

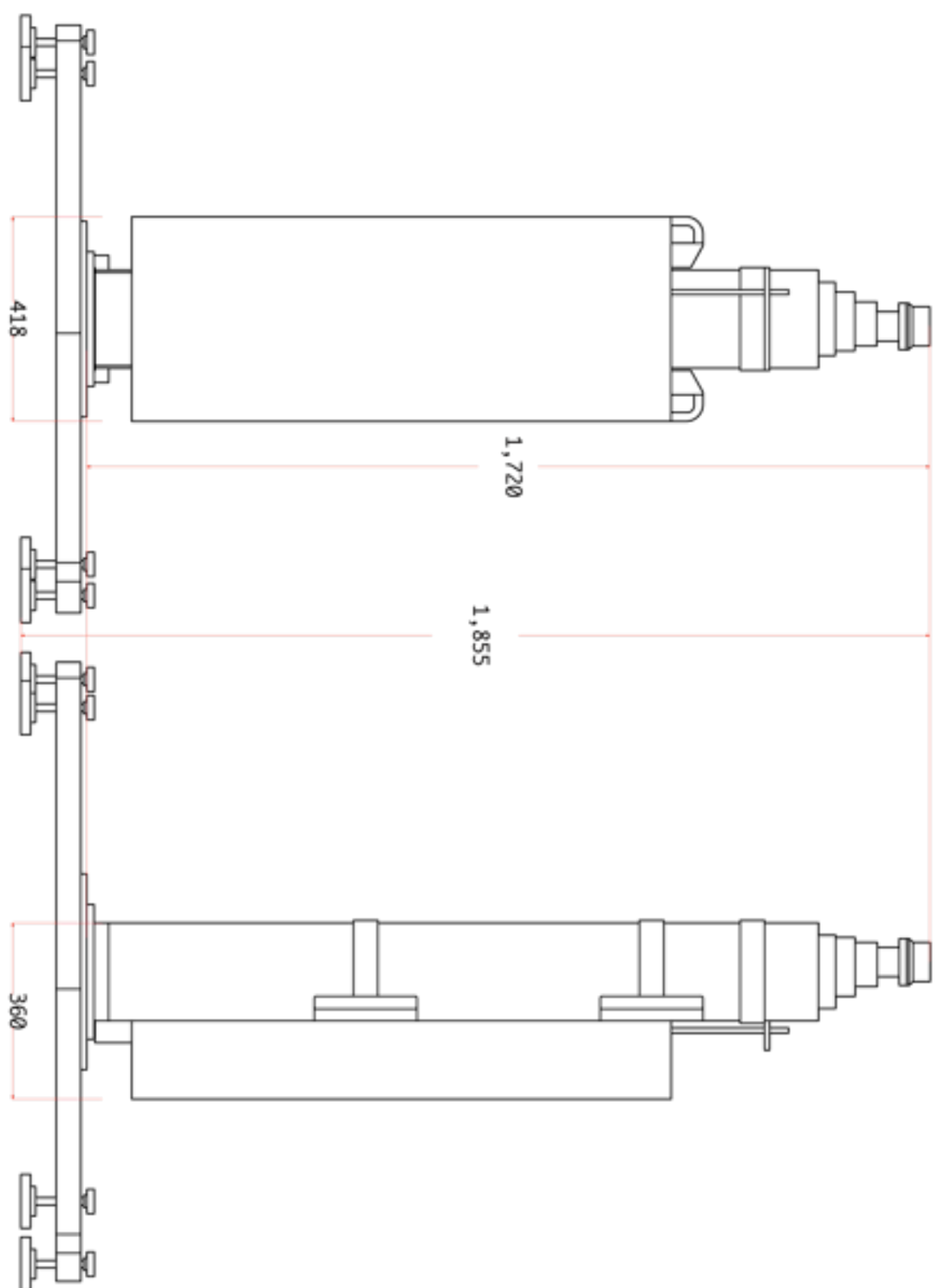


Remote Head + Camera

1855 ~ 5000

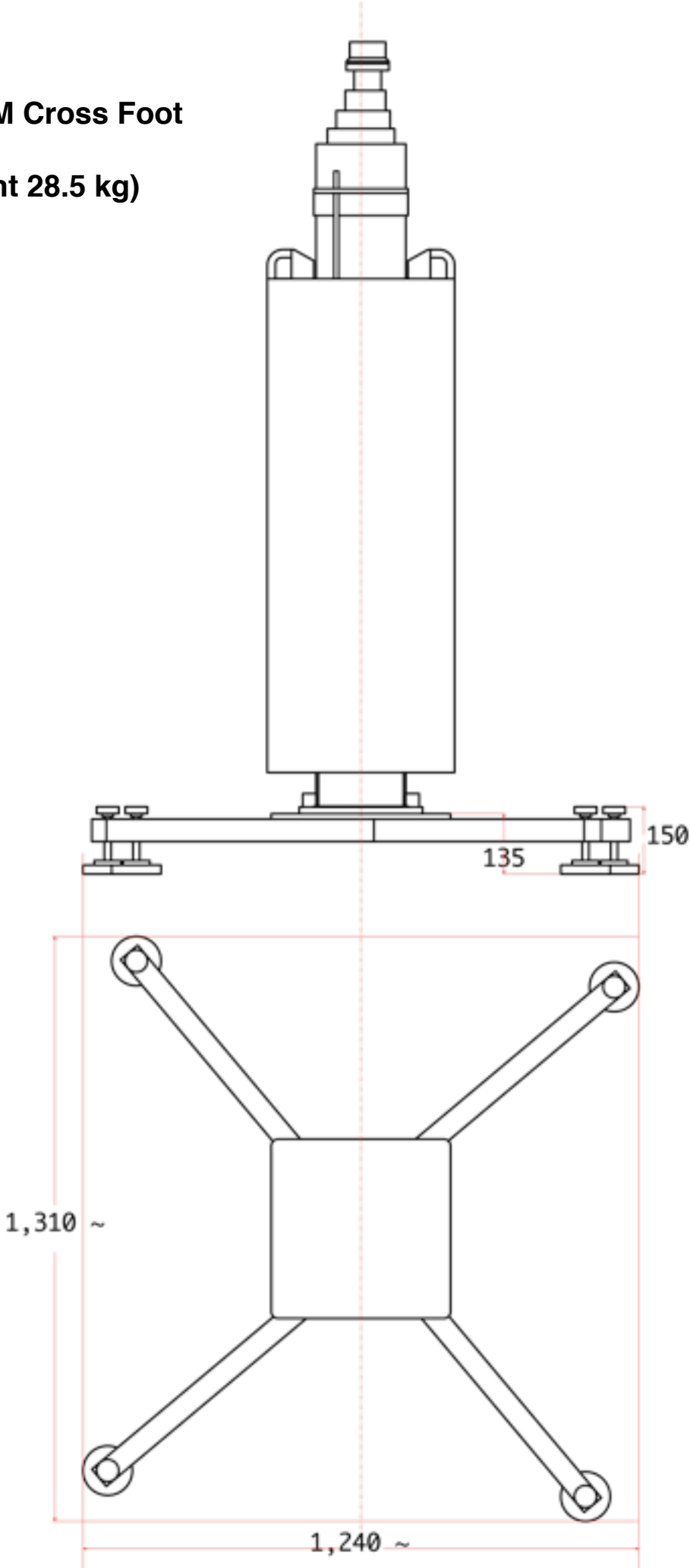
- Min Height :** 1855
- Max Height :** 5000
- Max Speed :** 0.9 m / s
- Max Payload :** 45 kg
- Weight :** 62 kg (w/o Remote + Cam)
- Voltage :** 230 / 110 V AC 3 kw





**STARCAM Cross Foot**

**(Weight 28.5 kg)**



# STARCAM Base Plate

(Weight 45.5 kg)

